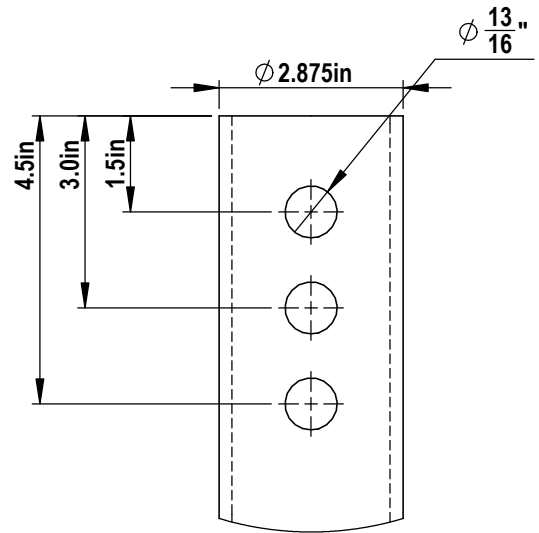
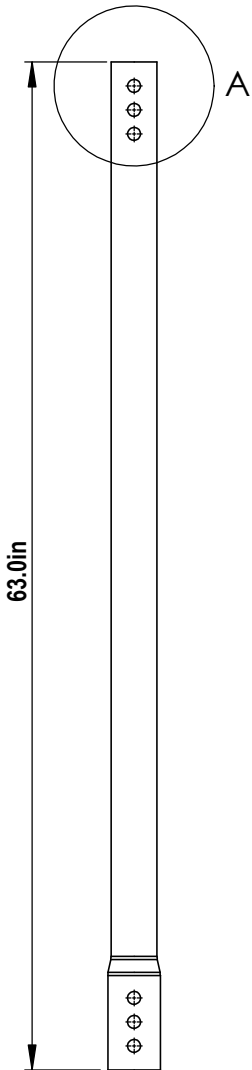


**NOTES:**

1. SHAFT: ROUND STRUCTURAL ERW TUBING PER ASTM A500 GR B, 2.50" SCH40. MINIMUM YIELD 50 KSI, MINIMUM TENSILE STRENGTH 65 KSI AND MINIMUM ELONGATION 23 PERCENT.
2. TORQUE STRENGTH RATING = 6,000 FT-LB
3. LOAD TO TORQUE RATIO (KT) = 9
4. USE THREE 3/4" A307 GR A BOLTS TO ATTACH TO AN EXTENSION.
5. AVAILABLE NOMINAL LENGTHS ARE 2', 5', 7' AND 10.5'



**A** DETAIL A  
N.T.S.

**1** 2.5" SCH40 Extension  
1" = 1'-0"

CANTSINK MANUFACTURING, INC.



71 First Avenue, N.W.  
Lilburn, Georgia 30047  
678-280-PILE(7453)  
FAX:678-280-3476

Title: CANTSINK HELICAL PILE EXTENSION

Catalog No. 2.5-40X05

Revision: RV-12-3/28/2018

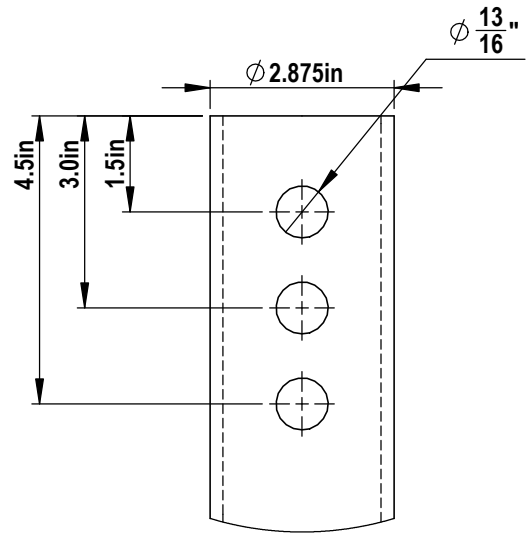
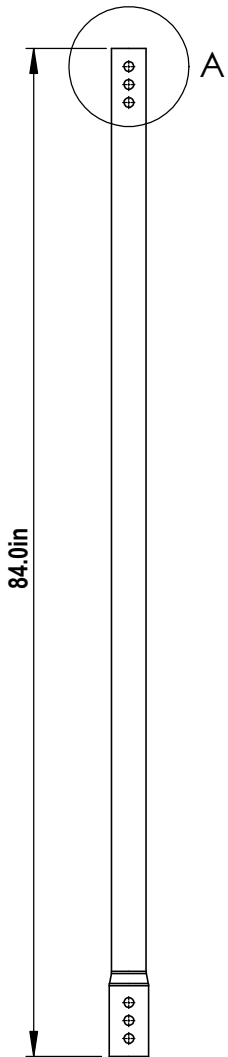
Scale: N.T.S.

Drawn by: LXSS

Sheet: 1/1

**NOTES:**

1. SHAFT: ROUND STRUCTURAL ERW TUBING PER ASTM A500 GR B, 2.50" SCH40. MINIMUM YIELD 50 KSI, MINIMUM TENSILE STRENGTH 65 KSI AND MINIMUM ELONGATION 23 PERCENT.
2. TORQUE STRENGTH RATING = 6,000 FT-LB
3. LOAD TO TORQUE RATIO (KT) = 9
4. USE THREE 3/4" A307 GR A BOLTS TO ATTACH TO AN EXTENSION.
5. AVAILABLE NOMINAL LENGTHS ARE 2', 5', 7' AND 10.5'



**A** DETAIL A  
N.T.S.

**1** 2.5" SCH40 Extension  
3/4" = 1'-0"

CANTSINK MANUFACTURING, INC.



71 First Avenue, N.W.  
Lilburn, Georgia 30047  
678-280-PILE(7453)  
FAX:678-280-3476

Title: CANTSINK HELICAL PILE EXTENSION

Catalog No. 2.5-40X07

Revision: RV-12-3/28/2018

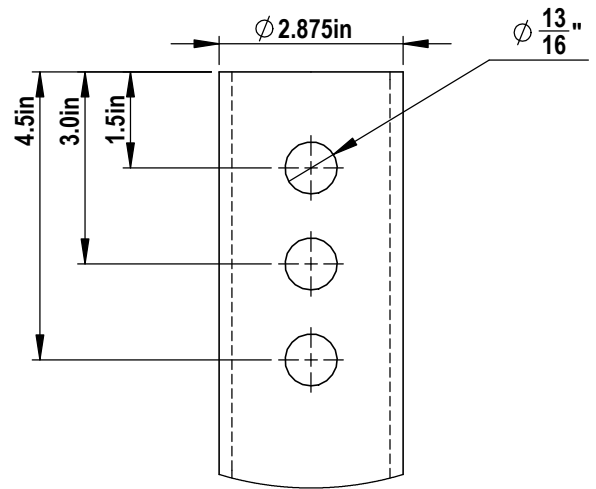
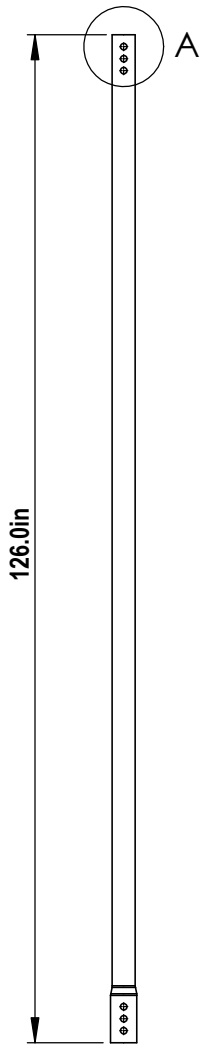
Scale: N.T.S.

Drawn by: LXSS

Sheet: 1/1


**NOTES:**

1. SHAFT: ROUND STRUCTURAL ERW TUBING PER ASTM A500 GR B, 2.50" SCH40. MINIMUM YIELD 50 KSI, MINIMUM TENSILE STRENGTH 65 KSI AND MINIMUM ELONGATION 23 PERCENT.
2. TORQUE STRENGTH RATING = 6,000 FT-LB
3. LOAD TO TORQUE RATIO (KT) = 9
4. USE THREE 3/4" A307 GR A BOLTS TO ATTACH TO AN EXTENSION.
5. AVAILABLE NOMINAL LENGTHS ARE 2', 5', 7' AND 10.5'



**A** **DETAIL A**  
N.T.S.

**1 2.5" SCH40 Extension**  
1/2" = 1'-0"

CANTSINK MANUFACTURING, INC.		71 First Avenue, N.W. Lilburn, Georgia 30047 678-280-PILE(7453) FAX:678-280-3476	
			
Title: CANTSINK HELICAL PILE EXTENSION			
		Catalog No. 2.5-40X10	
Revision: RV-12-3/28/2018	Scale: N.T.S.	Drawn by: LXSS	Sheet: 1/1