

NOTES:

Ultimate compression capacity with a minimum of 8" cover 74,000 lb
 $f'_c = 3,000$ psi
 Ultimate tension capacity with a minimum of 6" cover 44,000 lb

CANTSINK MANUFACTURING, INC.

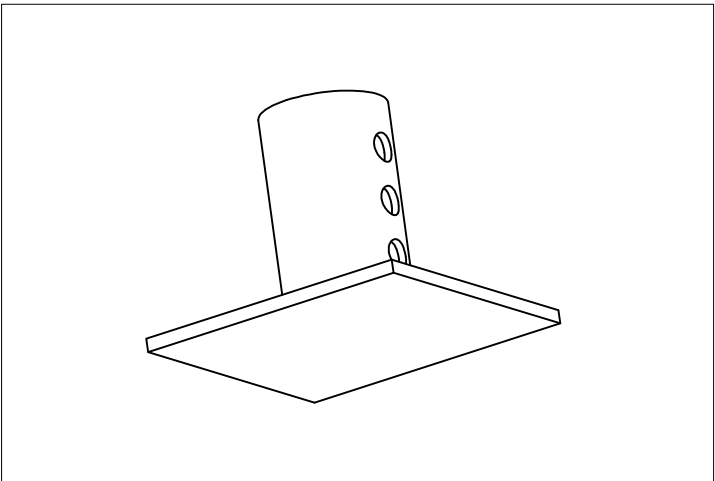
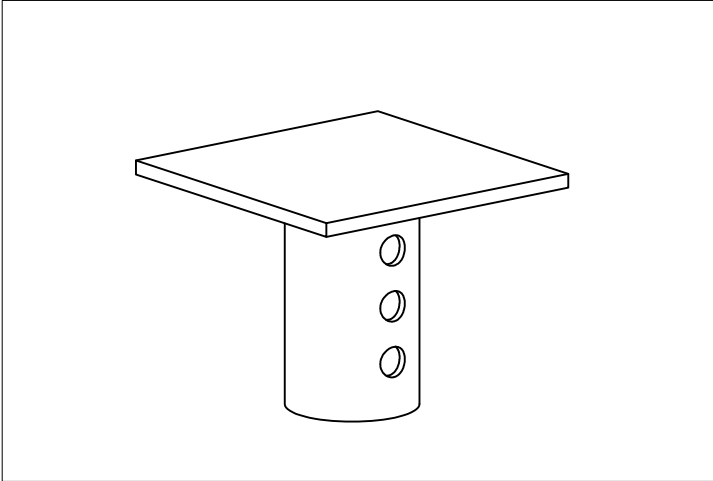
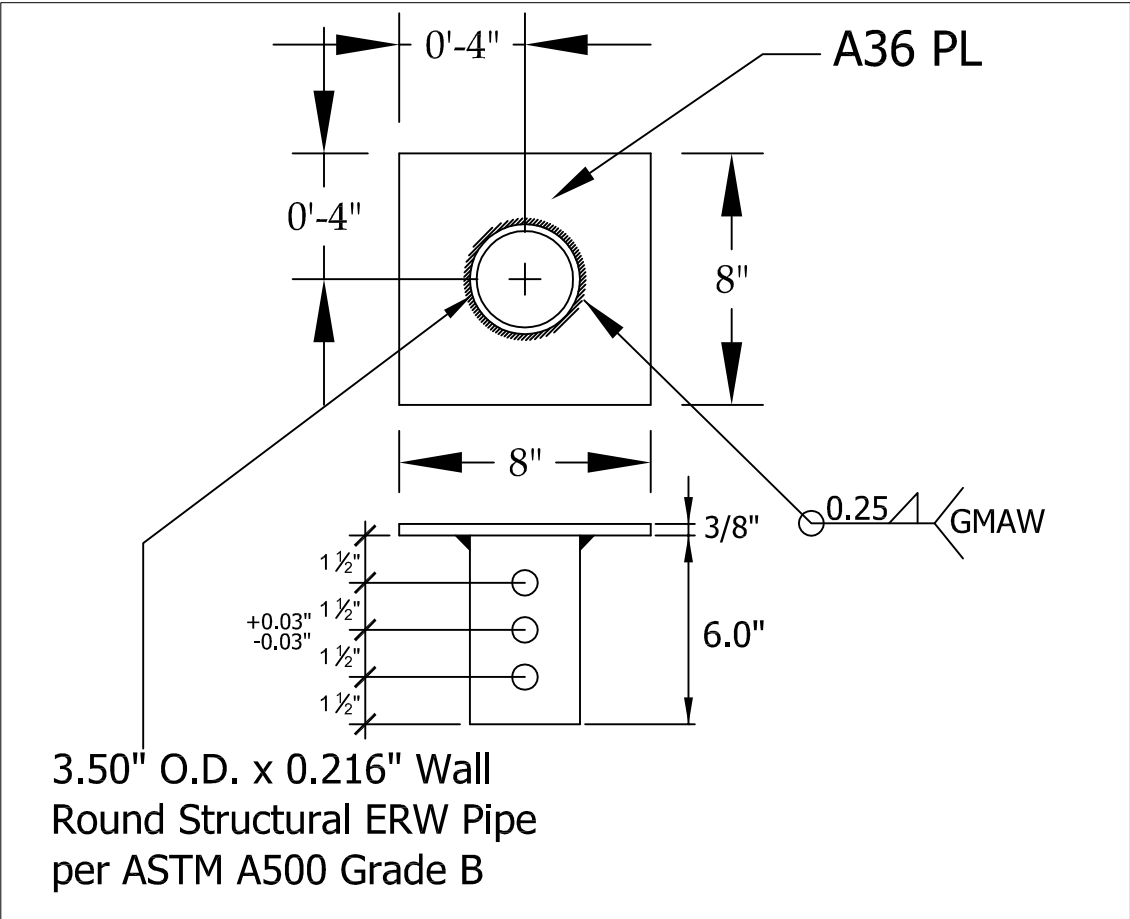


71 First Avenue, N.W.
 Lilburn, Georgia 30047
 678-280-PILE(7453)
 FAX:678-280-3476

Title: CANTSINK NEW CONSTRUCTION PILE CAP


Catalog No. 2.5-Cap-C

Scale: N.T.S. Drawn by: LXSS Sheet: 1/1 Revision: 062012A



NOTES:

Ultimate compression capacity with a minimum of 8" cover 74,000 lb
 $f'_c = 3,000$ psi
 Ultimate tension capacity with a minimum of 6" cover 44,000 lb

CANTSINK MANUFACTURING, INC.		71 First Avenue, N.W.	
		Lilburn, Georgia 30047	
		678-280-PILE(7453)	
		FAX:678-280-3476	
Title: CANTSINK NEW CONSTRUCTION PILE CAP			
		Catalog No. 2.5-Cap-TC	
Scale: N.T.S.	Drawn by: LXSS	Sheet: 1/1	Revision: 073015A