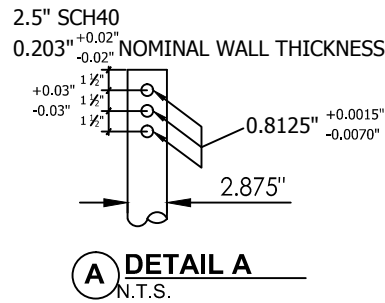
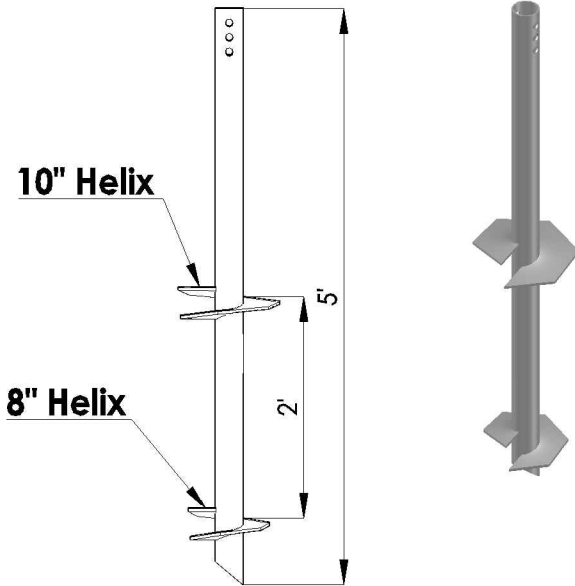
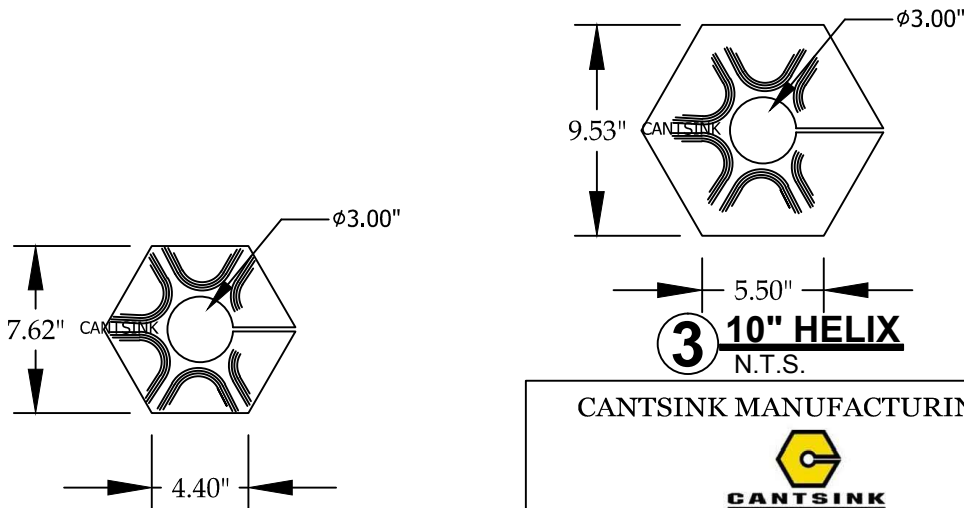


NOTES:

1. SHAFT: ROUND STRUCTURAL ERW TUBING PER ASTM A500 GR B, 2.50" SCH40. MINIMUM YIELD 50 KSI, MINIMUM TENSILE STRENGTH 65 KSI AND MINIMUM ELONGATION 23 PERCENT.
2. TORQUE STRENGTH RATING = 6,000 FT-LB
3. LOAD TO TORQUE RATIO (KT) = 9
4. USE THREE 3/4" A307 GR A BOLTS TO ATTACH TO AN EXTENSION.
5. AVAILABLE NOMINAL LENGTHS ARE 5', 7' AND 10.5'



1 2.5" SCH40 DOUBLE HELIX
1:20



2 8" HELIX
N.T.S.

CANTSINK MANUFACTURING, INC.

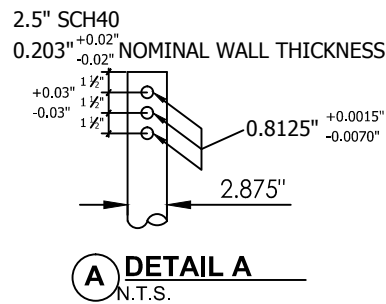
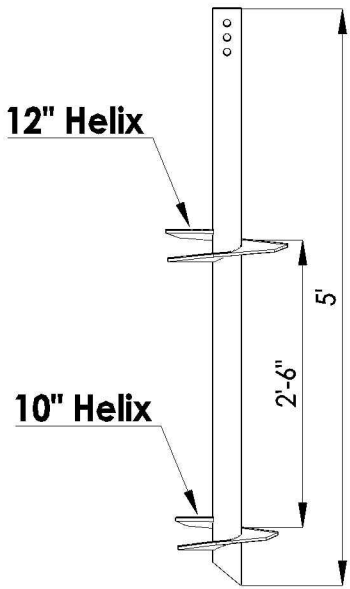


71 First Avenue, N.W.
Lilburn, Georgia 30047
678-280-PILE(7453)
FAX:678-280-3476

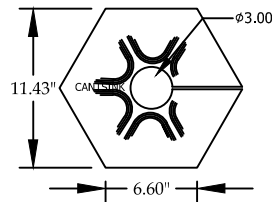
Title: CANTSINK HELICAL PILE LEAD		Catalog No. 2.5-40L05-8-10	
Revision: RV-12-06/06/2017	Scale: N.T.S.	Drawn by: LXSS	Sheet: 1/1

NOTES:

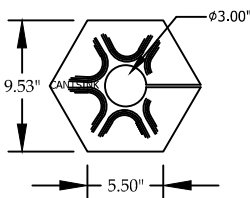
1. SHAFT: ROUND STRUCTURAL ERW TUBING PER ASTM A500 GR B, 2.50" SCH40. MINIMUM YIELD 50 KSI, MINIMUM TENSILE STRENGTH 65 KSI AND MINIMUM ELONGATION 23 PERCENT.
2. TORQUE STRENGTH RATING = 6,000 FT-LB
3. LOAD TO TORQUE RATIO (KT) = 9
4. USE THREE 3/4" A307 GR A BOLTS TO ATTACH TO AN EXTENSION.
5. AVAILABLE NOMINAL LENGTHS ARE 5', 7' AND 10.5'




1 2.5" SCH40 DOUBLE HELIX
1:20



3 12" HELIX
N.T.S.

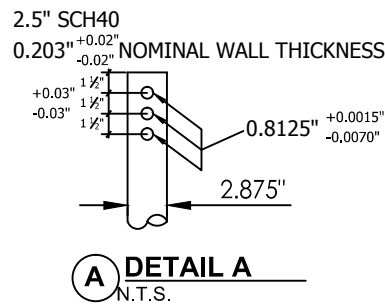
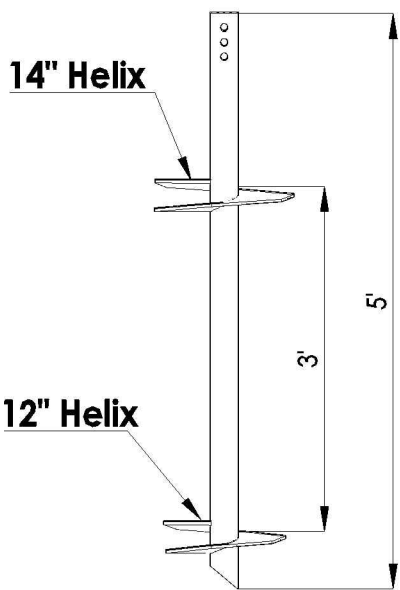


2 10" HELIX
N.T.S.

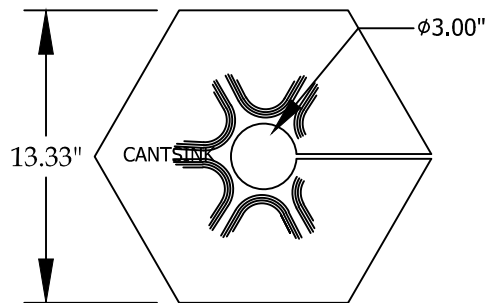
CANTSINK MANUFACTURING, INC.		71 First Avenue, N.W.	
		Lilburn, Georgia 30047	
		678-280-PILE(7453)	
		FAX:678-280-3476	
Title: CANTSINK HELICAL PILE LEAD			
		Catalog No. 2.5-40L05-10-12	
Revision: RV-12-06/06/2017	Scale: N.T.S.	Drawn by: LXSS	Sheet: 1/1

NOTES:

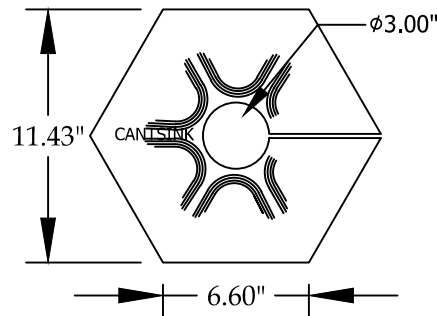
1. SHAFT: ROUND STRUCTURAL ERW TUBING PER ASTM A500 GR B, 2.5" SCH40. MINIMUM YIELD 50 KSI, MINIMUM TENSILE STRENGTH 65 KSI AND MINIMUM ELONGATION 23 PERCENT.
2. TORQUE STRENGTH RATING = 6,000 FT-LB
3. LOAD TO TORQUE RATIO (KT) = 9
4. USE THREE 3/4" A307 GR A BOLTS TO ATTACH TO AN EXTENSION.
5. AVAILABLE NOMINAL LENGTHS ARE 5', 7' AND 10.5'



1 2.5" SCH DOUBLE HELIX
1:20



2 14" HELIX
N.T.S.



3 12" HELIX
N.T.S.

CANTSINK MANUFACTURING, INC.



71 First Avenue, N.W.
Lilburn, Georgia 30047
678-280-PILE(7453)
FAX:678-280-3476

Title: CANTSINK HELICAL PILE LEAD

Catalog No. 2.5-40L05-12-14

Revision: RV-12-06/06/2017

Scale: N.T.S.

Drawn by: LXSS

Sheet: 1/1